

Introduction

Ethernet is available in different speeds (10/100/1000 and 10000Mbps) and provides connectivity to meet a wide range of needs from desktop to switches. MorethanIP IP solutions provide a solution for each Ethernet application with a library of configurable MAC (Media Access Control) and PCS (Physical Coding Sub-layer) Cores.

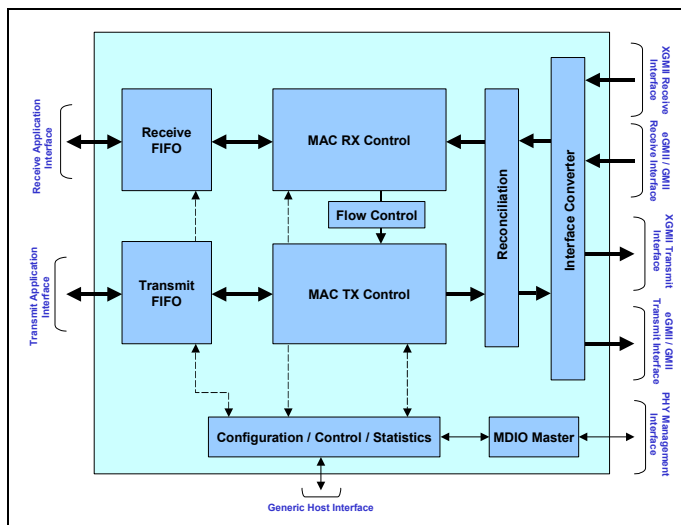
The programmable 10/100/100/10000 AnySpeed Ethernet MAC from MorethanIP provides, with a single IP Core, a solution for Ethernet applications (Line Card, NIC card or switching) operating at 10/100/1000Mbps (Gigabit Ethernet) or 10000Mbps (10 Gigabit).

The AnySpeed MAC, together with MorethanIP 1000 / 2500Base-X PCS Core can also be used to implement proprietary or industry standard 2.5Gbps Ethernet links.

The AnySpeed MAC Core operates Full Duplex mode, supports transparent (For switching applications) and Ethernet frame termination / generation (For NIC or line cards applications) with padding and wire speed CRC check / generation.

The core can seamlessly connect to any industry standard Ethernet PHY devices via an extended 16-Bit Gigabit Medium Independent Interface for Gigabit and 2.5 Gigabit Ethernet applications and a XGMII interface for 10 Gigabit Ethernet applications.

On the Client interface, the Core implements a simple 64-Bit (System on a Chip) FIFO interface which provides seamless connectivity to any MorethanIP cores or third party Cores, such as PCI-Express or SPI4.2.



AnySpeed MAC Controller Core Block Diagram

AnySpeed Ethernet MAC Core Features

- Full MAC layer and Reconciliation sub-layer implementation compliant with IEEE802.3ae specification
- Dynamically configurable to support 10 Gigabit Ethernet, with XGMII interface, Gigabit, 2.5Gbps with 16-Bit eGMII (Extended GMII) interface
- Can be configured for NIC (Network Interface Card) applications or Switching / Bridging applications
- Lane, data alignment, PHY error and local/remote fault signaling handled by the Core's Reconciliation sub-layer
- CRC-32 checking at full speed using a multi-stage CRC calculation architecture with optional forwarding of the FCS field to the user application
- CRC-32 generation and append on transmit or forwarding of user application provided FCS selectable on a per-frame basis
- Optional MAC address comparison on receive and overwrite on transmit for NIC applications
- Selectable promiscuous frame receive mode and transparent MAC address forwarding on transmit
- Optional Multicast address filtering with 64-bin hash code lookup table on receive reducing processing load on higher layers
- Optional Ethernet Pause Frame (802.3 Annex 31A) termination providing fully automated flow control without any user application overhead
- Optional automatic Pause Frame generation from programmable FIFO congestion thresholds or by dedicated command pin with programmable Quanta
- Programmable frame maximum length providing support for any frame (e.g. Jumbo Frame or any tagged Frame)
- Support for VLAN tagged frames according to IEEE 802.1Q specification in both transmit and receive
- Dynamic inter packet gap (IPG) calculation for WAN applications
- Deficit Idle Counter (DIC) for optimized performance with minimum IPG for LAN applications
- Clock and data rate decoupling with programmable asynchronous FIFOs
- Simple 64-Bit User application interface
- Optional 802.3 basic and mandatory managed Objects statistic counters and IETF Management Information Database (MIB) package (RFC2665) and Remote Network Monitoring (RMON) counters

Implementation Summary

Implementation Summary

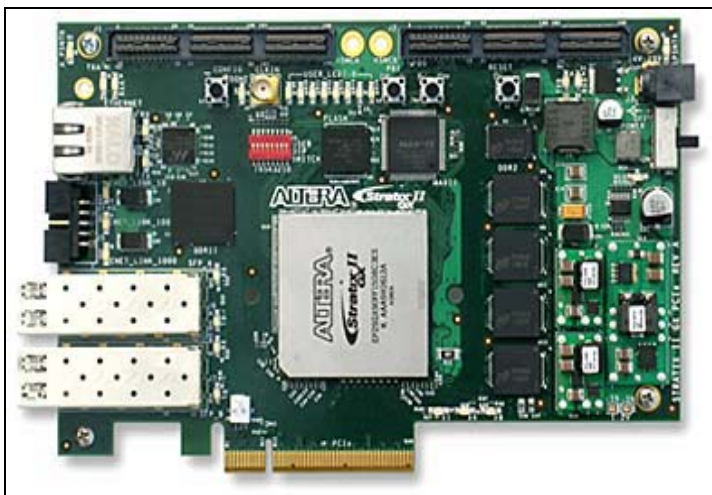
Complexity (TSMC 0.13G Process) (With 512 Bytes Rx and Tx FIFOs)	
Gates	RAM bits
53K to 80K	15K

Deliverables

- Graphical Configuration Java Tool
- Verilog Synthesizable RTL HDL
- Behavioral Verilog Models, Verilog testbenches with comprehensive Verification and regression test suite
- Synthesis Scripts for Synopsys Design Compiler
- Timing Constraints for Synopsys PrimeTime static time analysis tool
- Direct technical support from MorethanIP Development team

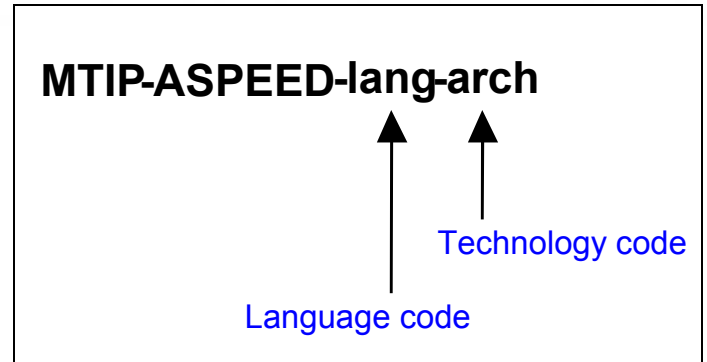
Development Boards

- Standard Stratix II GX FPGA Prototyping / Development Boards
- MorethanIP CX4 Daughter Card



Prototyping / Development Board

Ordering Information



Language Code

Language Code	Delivery Language
VLOG	Synthesizable Configurable RTL Verilog Source Code.

Technology Code

Technology Code	Target Technology
GEN	Configurable Synthesizable RTL code.

Contact

MorethanIP

E-Mail : info@morethanip.com
 Internet : www.morethanip.com
 Muenchner Strasse 199
 D-85757 Karlsfeld
 Germany
 Tel : +49 (0) 8131 333939 0
 FAX : +49 (0) 8131 333939 1